



NIKKISO NON-SEAL[®] GA & GB Hybrid Pumps



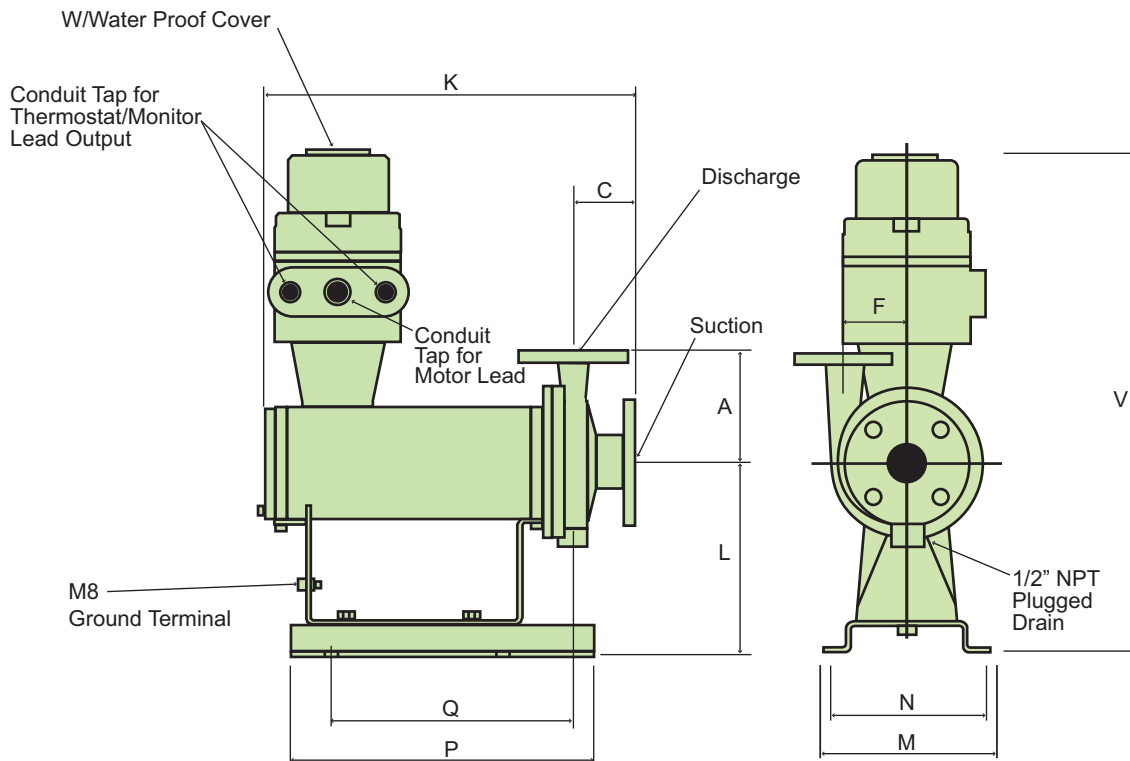
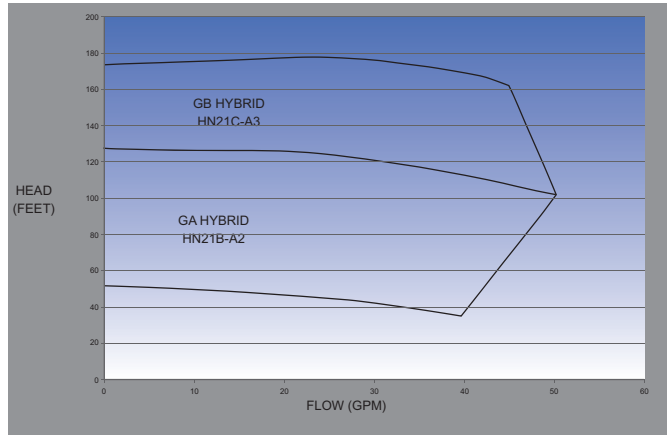
NIKKISO Pumps America, Inc.

GA/GB Drop-in Replacement

NIKKISO retrofit pumps are ideal replacement candidates for existing Chempump GA and GB Pumps

Key Benefits

- No Piping or foundation modifications required
- True secondary containment eliminates leakage from oil vent valve
- Unique E-Monitor alerts you to pump status
- Corrosion resistant 316SS Construction
- ANSI 150# Flanges
- Longer Mean Time Between Maintenance
- Easy to maintain
- Simple design equals enhanced reliability
- Quick delivery from our warehouse in Houston, TX



Hybrid Model	Pump Model	A	C	F	K	L	M	N	P	Q	V	NOMINAL FLANGE SIZE	
												SUCTION	DISCHARGE
GA	HN21B-A2	6.00	2.50	2.31	17.00	7.19	8.50	7.50	12.36	9.13	22.28	1	3/4
GB	HN21C-A3	6.75	3.00	3.13	18.50	7.13	8.50	7.50	13.90	8.94 - 11.69	22.28	1	3/4



Nikkiso Pumps America, Inc.

3433 N Sam Houston Pkwy W, #400 • Houston, TX 77086 • Ph: 281-310-6747 • Fax: 281-310-6771 • www.nikkisopumpsamerica.com