

Features:

- VersaPort™ improves efficiency.
- Modular design for ease of conversion.
- Field Adjustable for changing process conditions.
- Field Serviceable without special tools.
- Visual Indication of performance.
- Integral charging valve assembly.



Performance Table				
Volume (in ³ / L)	Pressure (psi/MPa)	Weight (lbs. / kg)	Connection (NPT)	Pump Selection
10 0.16	2,000 13.8	10 4.5	1/2" Versaport™	Up to 0.66 in ³ 10.6 ml per stroke
30 0.49	2,000 13.8	15 6.8	1" Versaport™	Up to 2.0 in ³ 32.6 ml per stroke
60 1.0	2,000 13.8	25 11.4	1.25"	Up to 4.0 in ³ 66.6 ml per stroke
125 2.0	2,000 13.8	35 16	1.5"	Up to 8.33 in ³ 133 ml per stroke
250 4.1	2,000 13.8	50 23	2"	Up to 16.6 in ³ 273 ml per stroke
500 8.2	500 3.45	65 30	2.5"	Up to 33.3 in ³ 546 ml per stroke
1,000 16.4	500 3.45	95 43	3"	Up to 66.6 in ³ 1093 ml per stroke

NIKKISO's HydroDamp® pulsation dampeners stabilize the pulsating flow and pressure from reciprocating pumps. Their hydro-pneumatic configuration eliminates the pressure spikes that damage piping systems, and smooth the flow to allow the use of downstream instrumentation*.

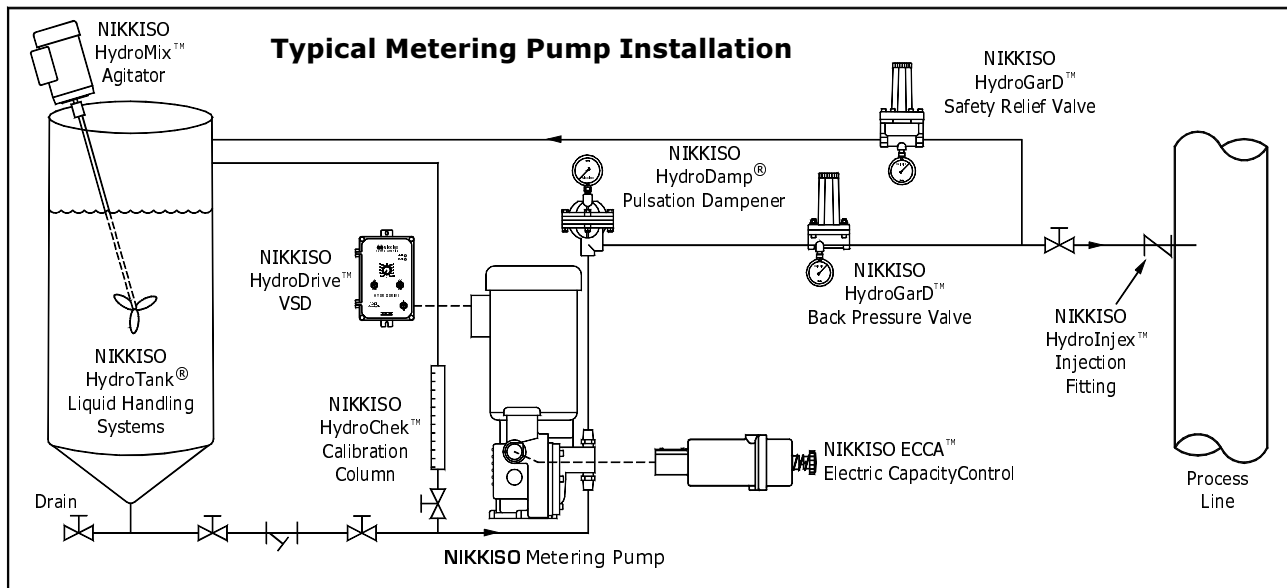
HydroDamp® pulsation dampeners also create more favorable NPSH (net positive suction head) conditions for the suction side of metering pumps, improving pump efficiency, performance and parts life.

Built tough for long-term reliability, high performance and easy installation, they are available in a wide range of corrosion-resistant materials, to meet the most demanding applications.

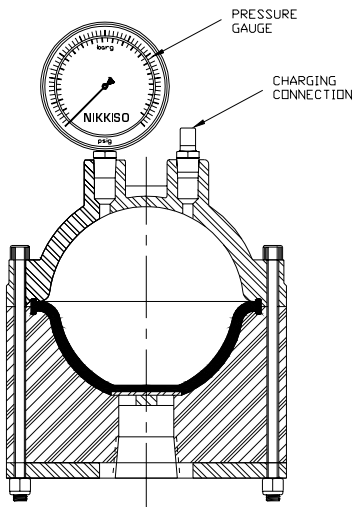
Equipped with a Schrader-style gas fill valve assembly and a 2.5" (50mm) glycerine filled pressure gauge to reduce the effects of cyclic pressure loads, all models are constructed in a modular format for maximum flexibility and are fully field serviceable without the use of special tools.

The smaller metallic models feature our unique VersaPort™ connection, which simplifies installation and reduces the number of pipe fittings required.

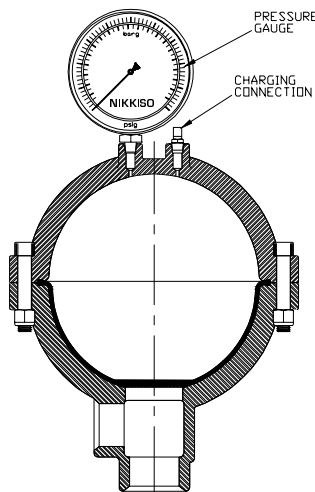
*When used in combination with our NIKKISO HydroGarD™ back pressure valve.



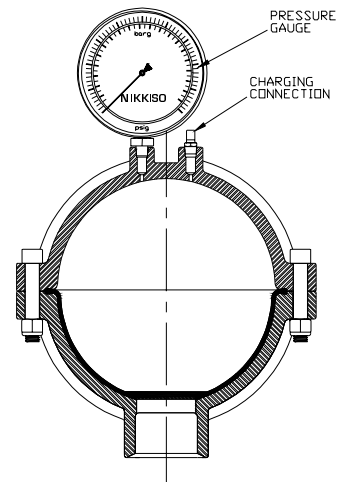
Non-Metallic



Metallic - Versaport™



Metallic - Single Port



Double Diaphragm

